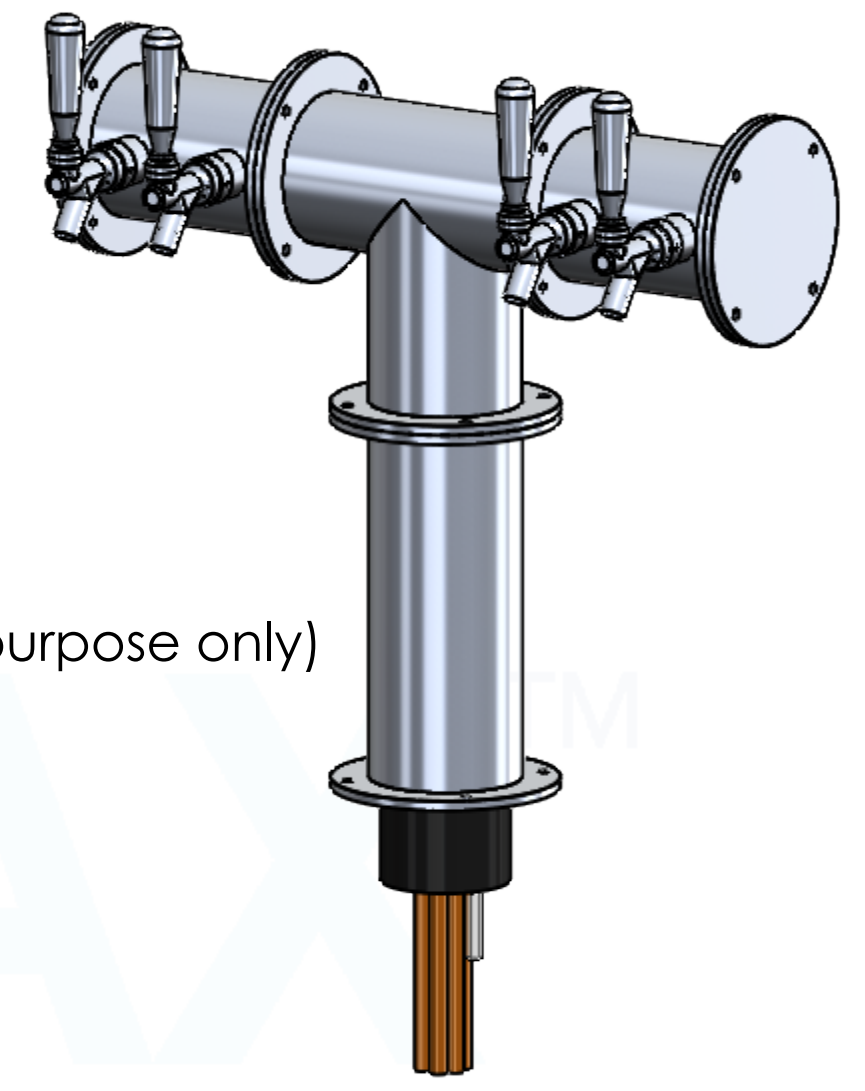
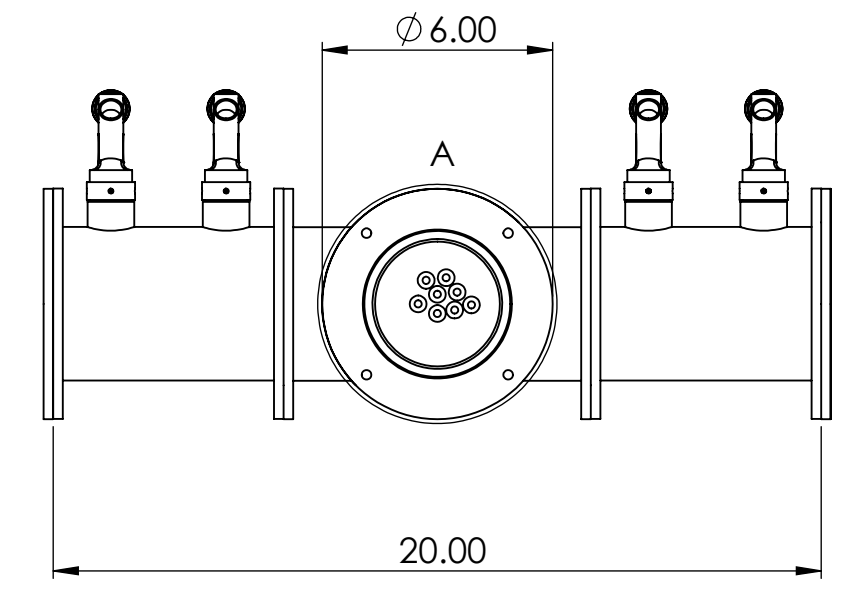
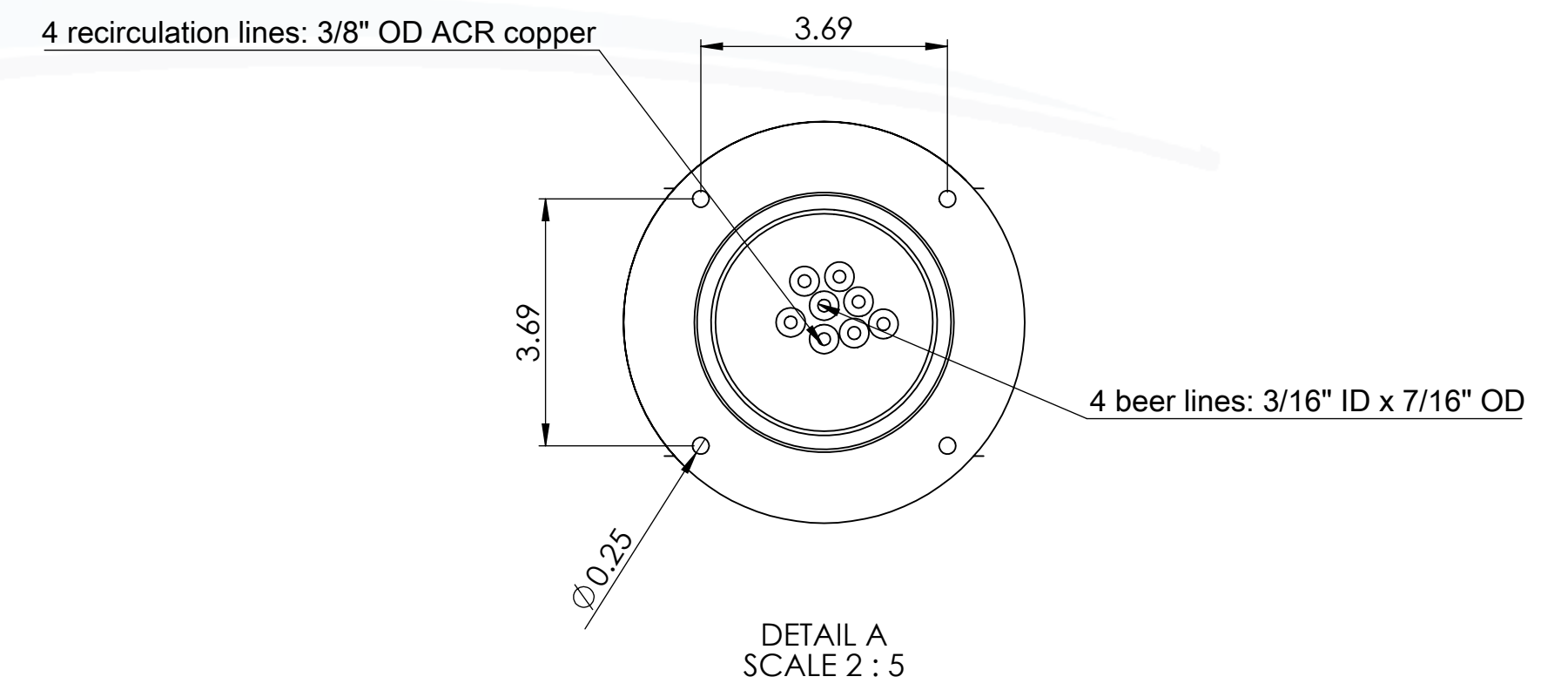


304SS tube connected to CBS NSF Flexible Total Barrier Tubing to 15lbs of Restriction



Isometric View
(For reference purpose only)



Suggested Drip Tray:
BB701320 - 20" x 7" BSS Drip Tray
BB702420 - 20" x 7" BSS Spray Drip Tray



Drawn By:	Chillmax Beverages Solutions, LLC	Date:	09/11/2024	Title:	4 T (3"OC) BSS CONDOR TOWER CH-MX CLD
Approved By:	Production Manager			Part Number:	BB101810-04GC
Material:	304 SS	Finish:	Brushed SS	Revision:	
Unless otherwise mentioned, dimensions are inches				Scale:	1:5